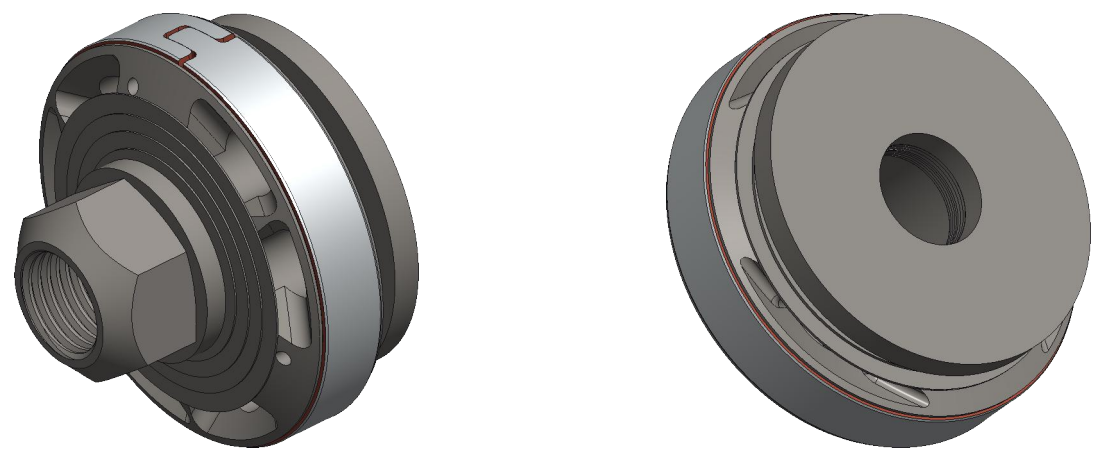
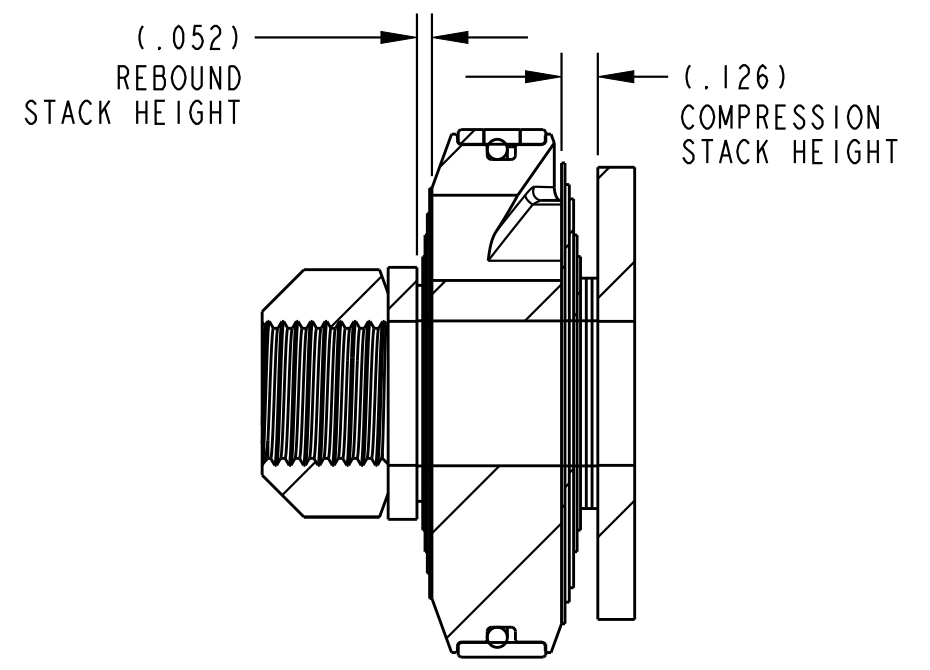
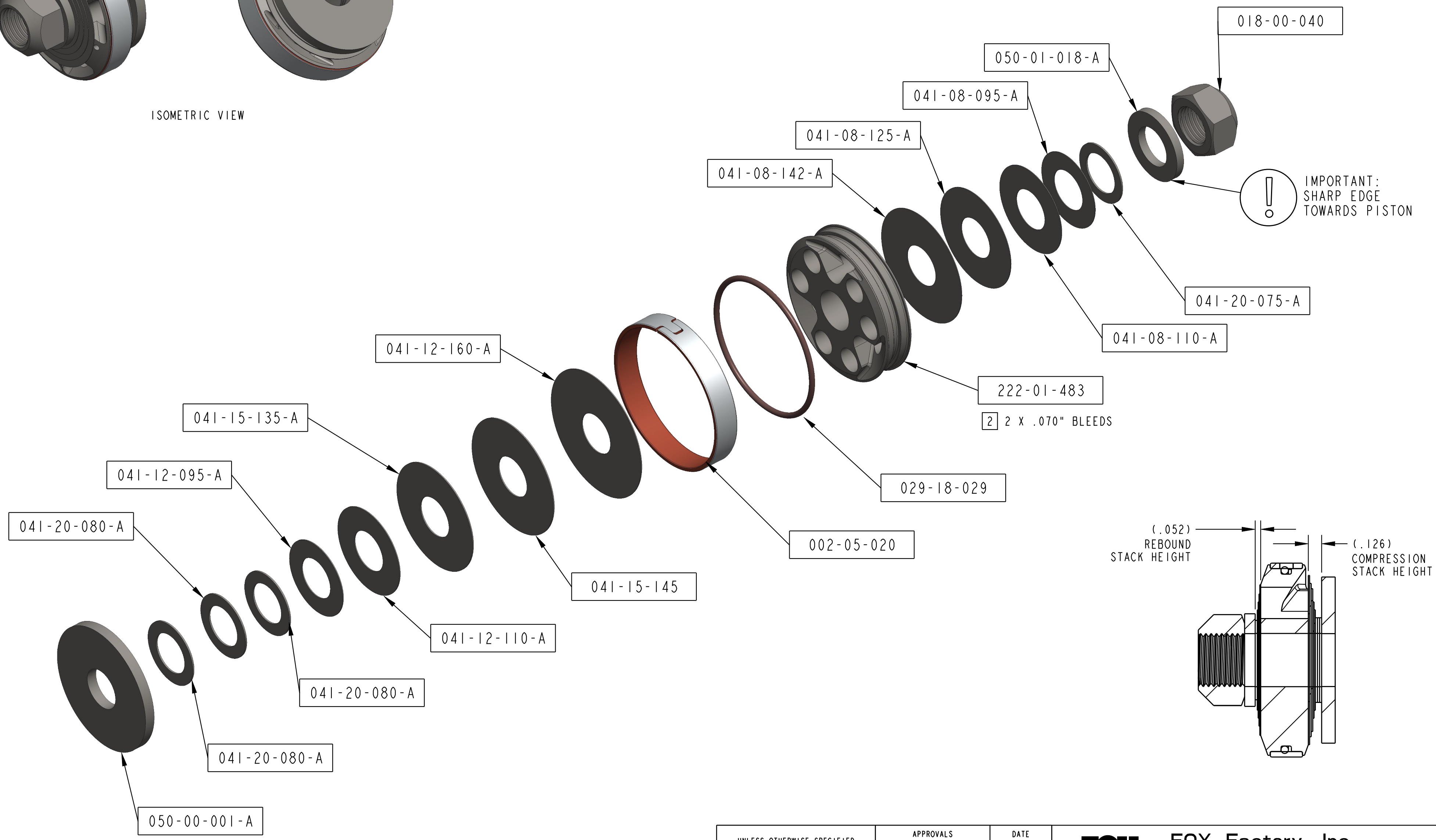


— PROPRIETARY —  
 THIS DOCUMENT CONTAINS CONFIDENTIAL, PROPRIETARY INFORMATION THAT IS FOX PROPERTY. DO NOT DISCLOSE TO OR DUPLICATE FOR OTHERS EXCEPT AS AUTHORIZED BY FOX.

REVISIONS				
ZONE	REV	DESCRIPTION	DATE	APPROVED
	A	RELEASE TO PRODUCTION	2023-08-21	NL/BS
	B	CHANGED PISTON, O-RING AND VALVING	2023-12-18	NL/BS



ISOMETRIC VIEW



- NOTES:
- APPLICATION: CLASS II FRONT SHOCKS
  - DRILL QTY 2, .070" BLEEDS

UNLESS OTHERWISE SPECIFIED DRAWING PER ASME Y14.100-2017 DIMENSIONS ARE SHOWN IN INCHES (MM) TOLERANCES DECIMALS .XX [.X] ±.01 [0,25] .XXX [.XX] ±.005 [0,13] ANGLES ±1° THIRD ANGLE PROJECTION	APPROVALS		DATE
	DRAWN BY	N LEONE	2023-08-21
	CHECKED	B SMITH	2023-08-21
	ENGINEER	N LEONE	2023-08-21
	DEV PROJECT #: N/A		
	PROTO / MAKE FROM PN: N/A		

**FOX** **FOX Factory, Inc.**  
 2055 Sugarloaf Circle, Suite 300  
 Duluth, Ga 30097 USA Phone 800-369-7469

TITLE  
**VALVING ASSEMBLY: 2.0 FACTORY SERIES, TUNED COMBINATION 057**

SIZE C	DWG. NO. <b>807-24-057</b>	REV B
PLOT SCALE: 1.25:1		SHEET: 1 OF 2

4

3

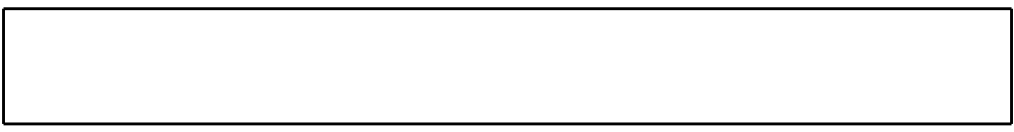
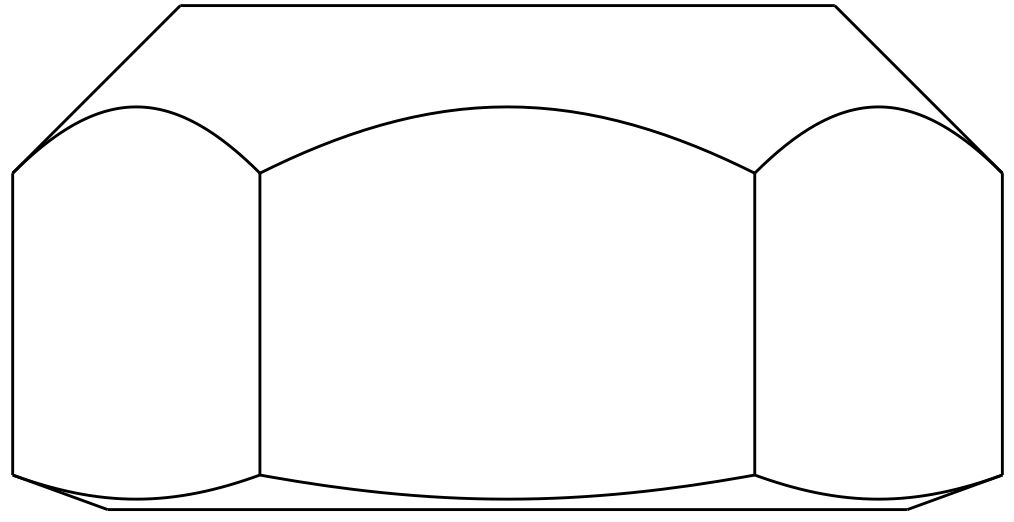
2

1

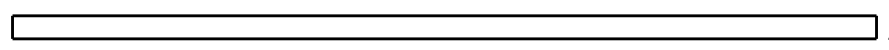
— PROPRIETARY —  
THIS DOCUMENT CONTAINS CONFIDENTIAL, PROPRIETARY  
INFORMATION THAT IS FOX PROPERTY. DO NOT DISCLOSE TO  
OR DUPLICATE FOR OTHERS EXCEPT AS AUTHORIZED BY FOX.

D

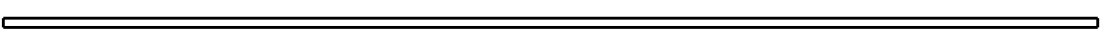
D



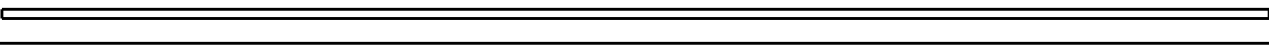
BACKUP WASHER



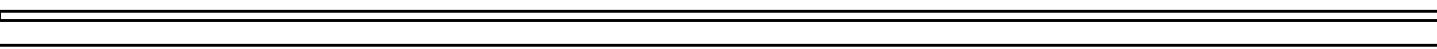
.750 X .020



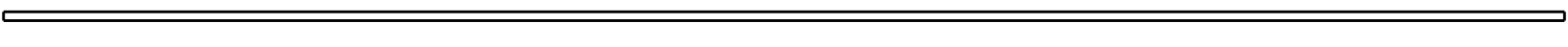
.950 X .008



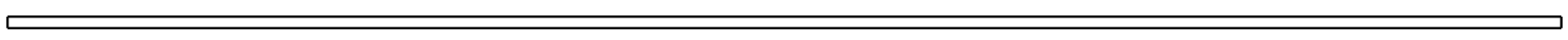
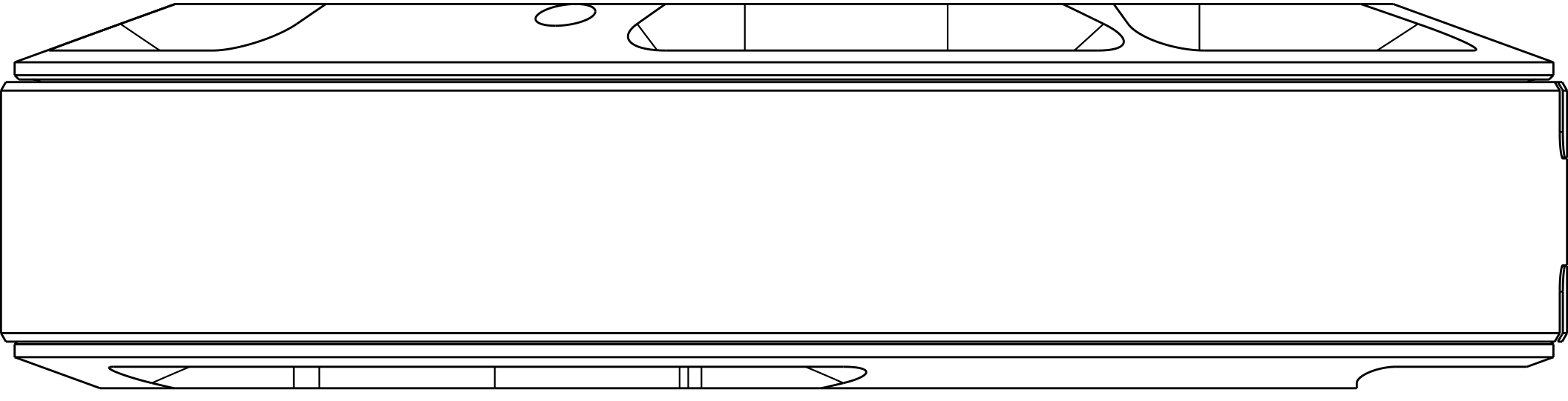
1.100 X .008



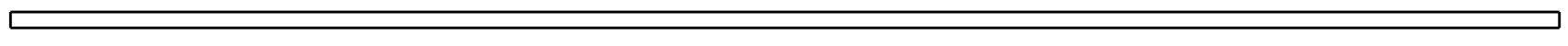
1.250 X .008



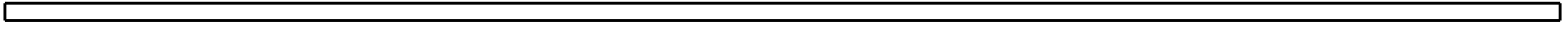
1.425 X .008



1.600 X .012



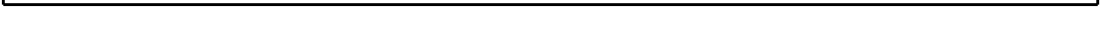
1.450 X .015



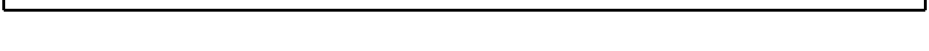
1.350 X .015



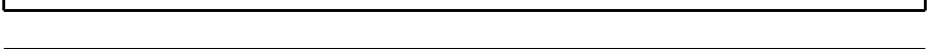
1.100 X .012



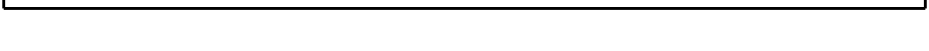
.950 X .012



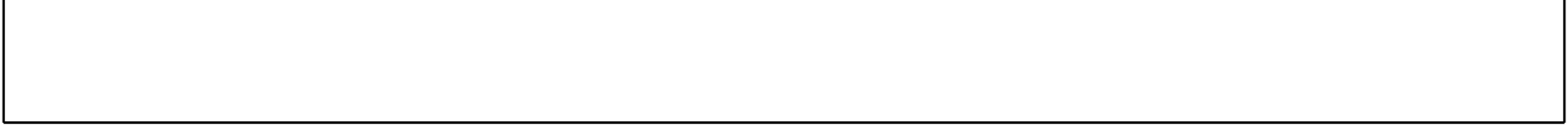
.800 X .020



.800 X .020



.800 X .020



TOP OUT WASHER

C

C

B

B

A

A

4

3

2

1

SIZE C	DWG. NO. 807-24-057	REV B
PLOT SCALE: 6:1		SHEET: 2 OF 2